

1500 Series Volume Control/Smoke Dampers

Description

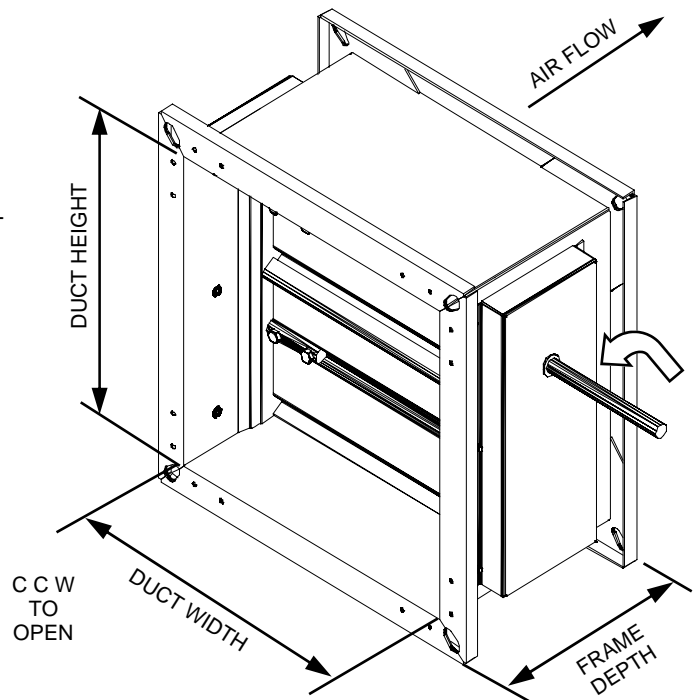
The 1500 series has been designed primarily as a balancing damper to be installed in a fire* or smoke rated duct work system.

The range incorporates a fully welded frame and enclosures that encase the linkage and bearings, which permits a fire rated spray, coating, boards or panel wither for fire resistance or thermal insulation purposes to cover the damper without affecting the operation. If this fire rated ductwork system does not require to be covered with such products, then the damper can be left unprotected.

The corners allow connection to most flanging systems and the damper is available semi-sealed and fully sealed. It can also be supplied with either manual or electrical options to suit requirements.

The 1500 series will maintain its integrity and stability for up to two hours within fire conditions when the damper is in the fully closed position and with no power to the actuator.

The steel frame of the damper is of sufficient thickness to withstand the effects of the fire for a four hour exposure.



Standard Construction

Blades:

Width: Various
Material: 1.6mm galvanised mild steel – standard
1.6mm grade 430 stainless steel – optional

Frame:

Flange Width: 30mm Standard
25mm or 35mm - optional. All come with peardrop punched corners
Frame Depth: 200mm Standard
180mm or 195mm optional
Material: 1.6mm galvanised mild steel – standard
1.6mm grade 430 stainless steel – optional
Corners: Formed corners "button locked" for strength and rigidity.

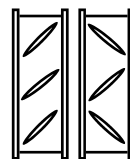
Linkage: Fully enclosed, fixed for 90 deg operation, zinc electroplated mild steel.

Bearings: 12.7mm dia.
Oil filled sintered bronze up to 200 deg C - Standard
Stainless Steel up to 400 deg C – Optional
Stainless Steel up to 600 deg C – Optional

Axels: 12.7mm dia. Electroplated mild steel bolted directly to the blades.

Side Jamb: Cambered grade 302 stainless steel

Blade Seals: PVC, up to 80 deg C – Optional
Silicon, up to 175 deg C – Optional



Parallel or
Opposed blade
operation available

Minimum and Maximum Size (Single Sections Only):

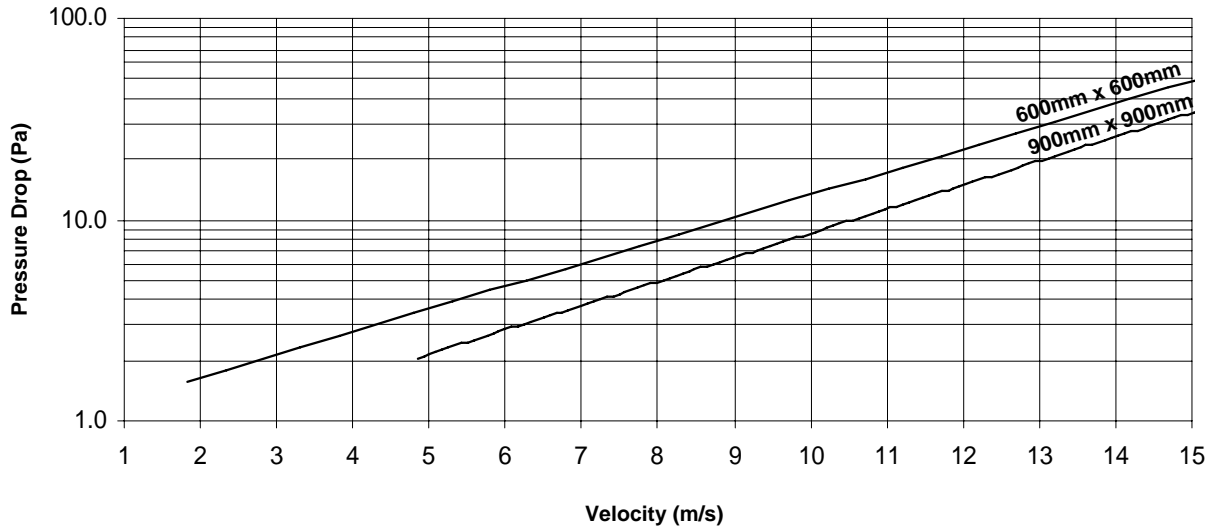
100mm x 100mm min,
1200mm x 1800mm max

Damper Arrangements greater than the maximum single section size are available and are made of multiple damper. Please contact Advanced Air sales for multiple sections

Actuator Options:

- Right Hand Drive - Standard
- Left Hand Drive - Optional
- 230V Actuator
- 24V Actuator
- Pneumatic Operation
- Hand Locking Quadrant
- 4" Diameter Handle

Pressure Drop (Fully Open, Standard Units)



Average Blade Leakage

